



KEYBOARD C-5235

TECHNICAL CHARACTERISTICS

Power button action	100 +/- 25g
Lifetime.....	1.000.000 cycles
Tour of the key.....	1.3 +/- 0.5 mm.
Working temperature.....	-27 a 60°C
Contact resistance.....	200 m maximum

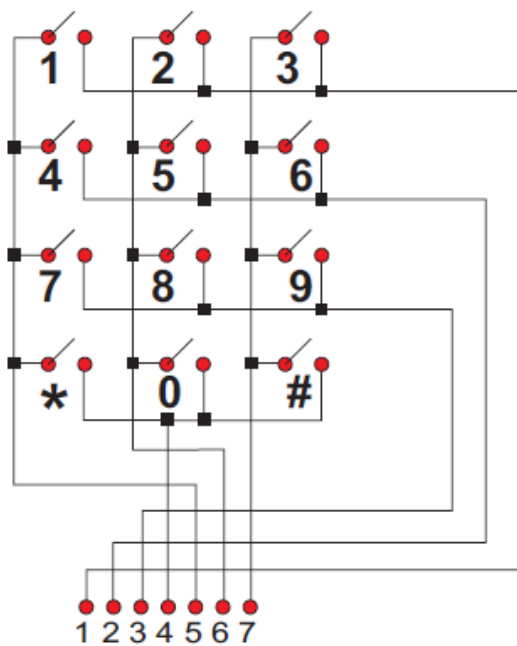
Mechanical keyboard like "phone" connection matrix.

It has 10 keys (0 through 9) and two key symbols (* and #).

The connector consists of a 7-pin strip on the side, with 2.54 mm step. and a length of 8mm.

Especially suitable for professional applications, such as access control, control panels and regulatory machinery and processes, etc ...

Connection



Dimensions in mm

