



I-22

CYCLIC TIMER (50 sec. to 30 min.) With TRIAC.

The I-22 is a 230 VAC cyclic timer with Triac output, which only accept resistive loads and not inductive loads. The module will maintain activated the output according to an operating time and a quiescent time fluctuating between 50 seconds and 30 minutes.

The operating-quiescent cycle will be activated until you stop to supply the module. You could activate the module by closing contacts. It includes terminals to connect it.

TECHNICAL CHARACTERISTICS.

Voltage.....	230 V. A.C.
Medium Consumption.....	1 W.
Minimum Time.....	50 Sec.
Maximum Time.....	30 Min.
Minimum Load.....	50 W.
Maximum Load.....	500 W.

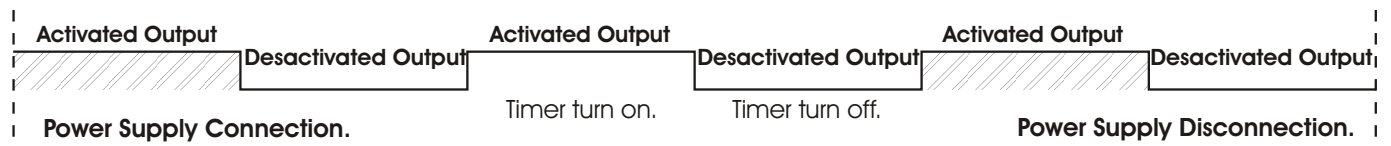
OPERATING.

POWER SUPPLY. The Circuit I-22 had to be supplied by 230 VAC. According to the General Wiring Map to correctly use the circuit we suggest you to insulate the circuit against possible parasites (interferences) inserting a 230 VAC filter at the supply input. Please take note of the Chapter "Filter".

Using an adequate plug and a cable for mains connect this last one to the input terminal 230 VAC. Install a fuse and a switch as it is indicated in General Wiring Map (see hereafter). Both are necessary to protect the module and for your own security, as it is indicated in EEC regulations. Then, verify that you have correctly connected the module.

Before to connect the module to the mains inserting voltage, please do the rest of connections specified hereafter. **Don't forget that in several part of the module there is voltage (230 VAC)**, for this reason we suggest you to be careful.

OPERATING-QUIESCENT CYCLE. The circuit have two times. Operating time (when the relay will be connected) and quiescent time (when the relay will not be connected between two operating time). To select operating and quiescent times you had to adjust potentiometers inserted in the P.C.B. When the time is selected, press the push button to supply the module. The circuit I-22 will automatically connect the output during the previously indicated operating time and the led will light. When the operating time will be finished, led and output will be disconnected during the selected quiescent time. At the end of this



quiescent time, the module I-22 will be activated once again.

OUTPUT. CONNECTION OF THE LOAD. The output Module (I-22) accept resistive loads as lamps, resistors, etc.... Never install inductive loads as neon, transformers, etc...

To connect the output, connect lamp/s or other load to the indicated terminal (see General Wiring Map). Once again, verify that input and output are correctly connected. Press the bush button and the circuit will be supplied connecting the output and activating the load.

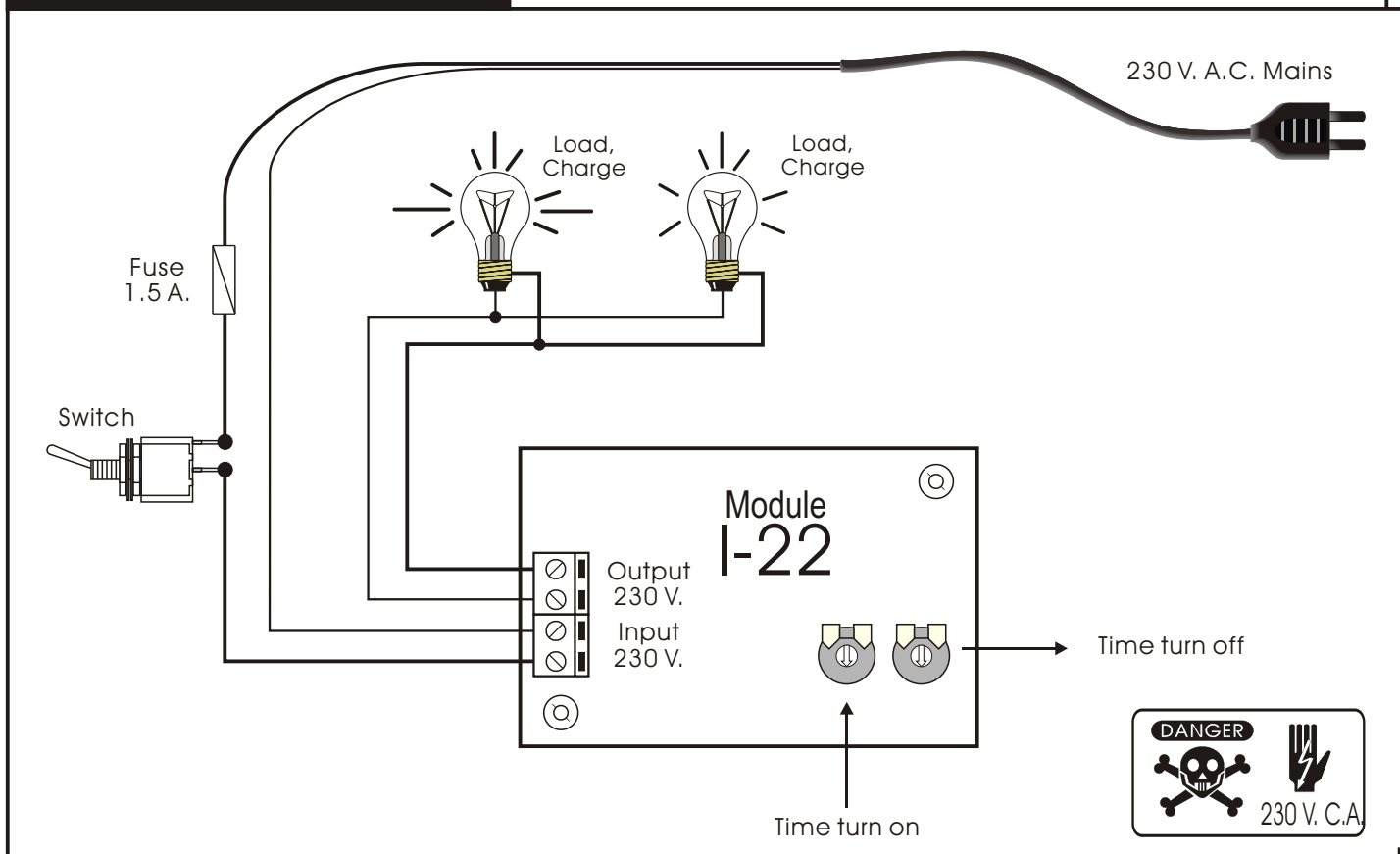


TIMER.

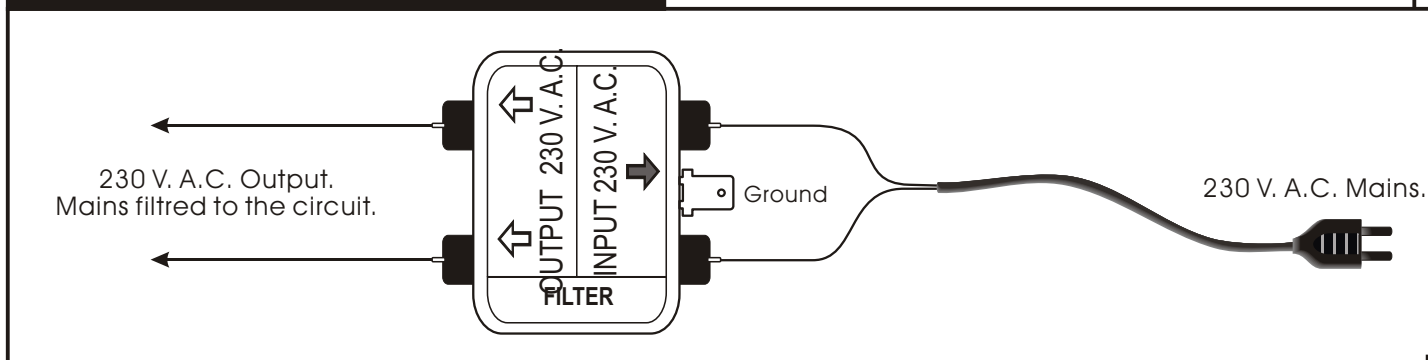
Ref. FULL9735_Ang.

I-22

GENERAL WIRING MAP.



HOW TO INSTALL THE FILTER.



TECHNICAL SUPPORT AND INFORMATION.

For any questions or more information:

By Fax. (24h.) +34.3. 432.29.95

By Mail: C/ Quetzal, 17-21, Entlo. 2º (08014) BARCELONA - SPAIN.

By E-Mail: cebek@sakma.es

Keep you invoice. For any repairing could you send this with module. Else, the module will lost the warranty.

**MORE 300
MODULES.**

All the module's CEBEK have **3 years of total warranty** in the technical repairing, and spares from the date of buy.

CEBEK is trade make of FADISEL S.L. more than 300 module's are available in stock for any purpose **request our CATALOGUE**, or visit our Web.

[Http://www.sakma.com/CEBEK](http://www.sakma.com/CEBEK)

WARRANTY

**3
YEARS**