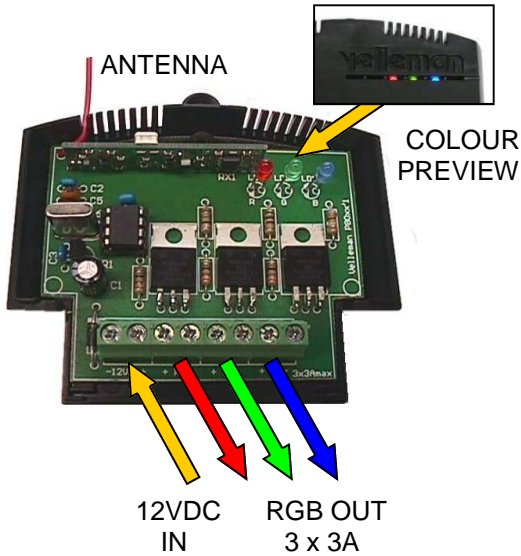




## RGB LED STRIP COLOUR CONTROLLER

### VM161

This RGB LED controller, works with our VM118R RF transmitter.

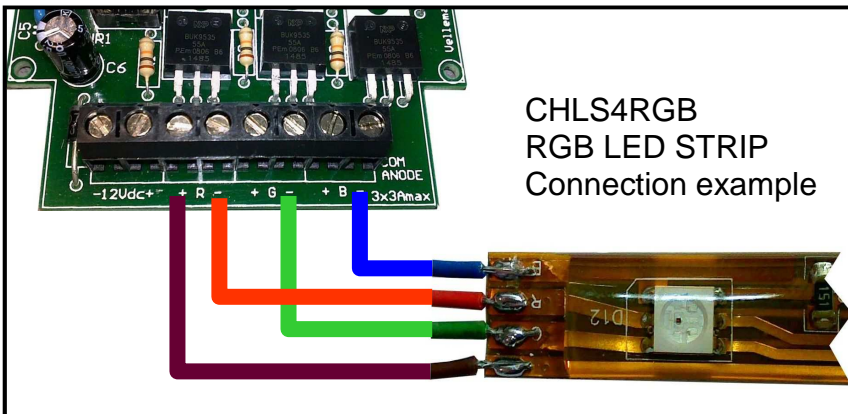
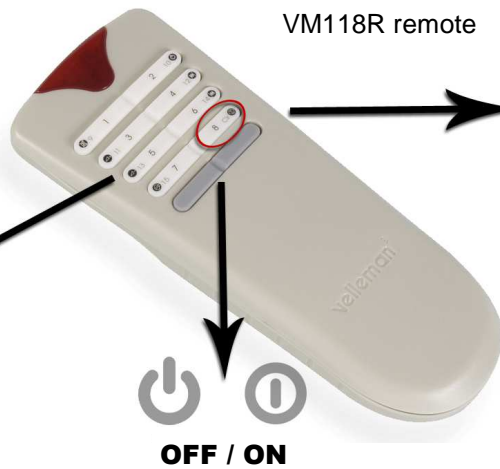
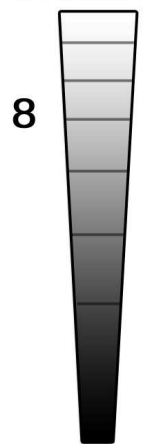


- Direct access to 7 colour settings
- Dimming function
- Transmitter is Fcc approved for US

COLOUR COULEUR



DIMMER VARIATEUR

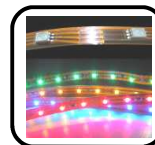


### Technical:

- Seven colour selection
- Ten dimming steps
- LED PWM freq: +/- 300Hz
- 3x 12V/3A outputs
- TX/RX: 433MHz operation
- Fcc approved: NLO8058
- Power supply: 12V / 9A max.
- Dimensions: approx 80x70x23mm



Hi power MOSFET outputs



Ideal for use with common anode led strips  
e.g.  
- CHLS4RGB  
- LDB1-HS3027AC

See also the [LED controller selection guide on the web](#)